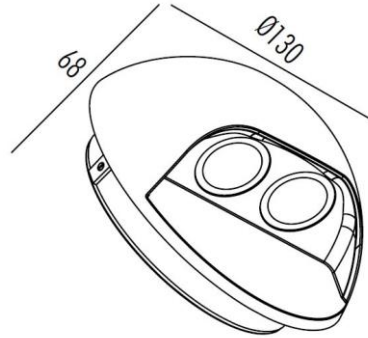


## Wall Light

6W

## Data Sheet

774-1100



### APPLICATIONS

LED ceiling and wall luminaire made of aluminum and hand-blown crystal glass.  
For a variety of interior and exterior lighting applications.  
The used LED technique offers durability and optimal light output with low power c

### PRODUCT SPECIFICATIONS

Body and bracket in Die cast Aluminium

Silicon rubber gasket

Clear Glass

Powdered coated with pretreatment for outdoor use.

Frost PC

Dimensions :  $\Phi 130 \times H68$ mm

Shape : Round

LED : SMD

Finish : Graphite

Correlated Color Temperature (CCT) : 3000K

Lumens : 260 lm

Color Rendering Index (CRI) : 80

Reflector Degree ( $^{\circ}$ ) : 30

Power Factor : 0.5

Input Voltage : 200 - 240V 50Hz

Protection class IP 54 : Dust protected & protected against  
splashing water from any direction