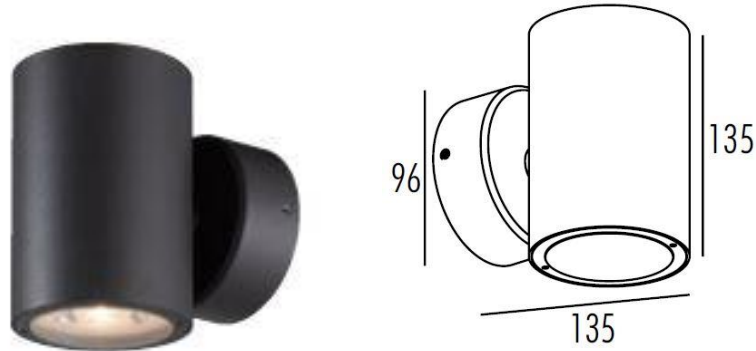


Wall Light

2 x 7W

Data Sheet

774-1080



APPLICATIONS

LED ceiling and wall luminaire made of aluminum and hand-blown crystal glass.
For a variety of interior and exterior lighting applications.
The used LED technique offers durability and optimal light output with low power c

PRODUCT SPECIFICATIONS

Body and bracket in Die cast Aluminium

Silicon rubber gasket

Clear Glass

Powdered coated with pretreatment for outdoor use.

Frost PC

Dimensions : $\Phi 135 \times H130$ mm

Shape : Round

LED : SMD

Finish : Graphite

Correlated Color Temperature (CCT) : 3000K

Lumens : 541 lm

Color Rendering Index (CRI) : 80

Reflector Degree ($^{\circ}$) : 25

Power Factor : 0.9

Input Voltage : 200 - 240V 50Hz

Protection class IP 54 : Dust protected & protected against
splashing water from any direction