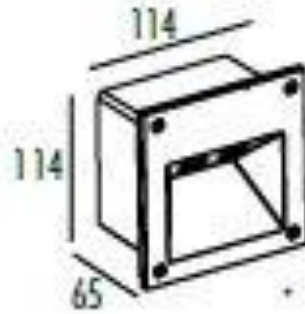


Recessed Wall Light

2W

Data Sheet

774-1220



APPLICATIONS

LED ceiling and wall luminaire made of aluminum and hand-blown crystal glass.
For a variety of interior and exterior lighting applications.
The used LED technique offers durability and optimal light output with low power c

PRODUCT SPECIFICATIONS

Body and bracket in Die cast Aluminium

Silicon rubber gasket

Clear Glass

Powdered coated with pretreatment for outdoor use.

Frost PC

Dimensions : L114 x D65 x H114 mm

Shape : N/A

LED : SMD

Finish : Graphite

Correlated Color Temperature (CCT) : 3000K

Lumens : 169 lm

Color Rendering Index (CRI) : 80

Reflector Degree (°) : 29

Power Factor : 0.5

Input Voltage : 200 - 240V 50Hz

Protection class IP 65 : Dust tight & Protected against water jets
from any direction