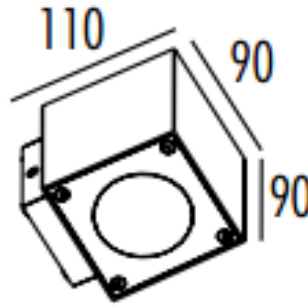


## Wall Light

9W

## Data Sheet

774-1063



### APPLICATIONS

LED ceiling and wall luminaire made of aluminum and hand-blown crystal glass.  
For a variety of interior and exterior lighting applications.  
The used LED technique offers durability and optimal light output with low power c

### PRODUCT SPECIFICATIONS

Body and bracket in die-cast aluminium

Silicon rubber gasket

Powdered coated with pretreatment for outdoor use.

Clear glass

Dimensions : L110 x W90 x H90mm

Shape : N/A

LED : COB

Finish : White

Correlated Color Temperature (CCT) : 3000K

Lumens : 285 lm

Color Rendering Index (CRI) : 80

Reflector Degree (°) : 90

Power Factor : 0.9

Input Voltage : 200 - 240V 50Hz

Luminaire: Protection class IP 54 : Dust protected (no harmful deposit) & protected against splashing water from any direction