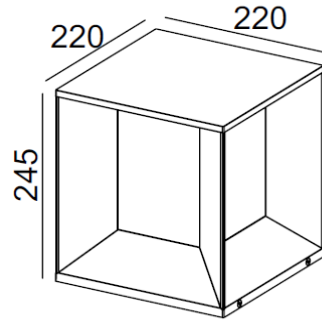


Landscaping Bollard

19W

Data Sheet

768-1120



APPLICATIONS

LED ceiling and wall luminaire made of aluminum and hand-blown crystal glass.
For a variety of interior and exterior lighting applications.
The used LED technique offers durability and optimal light output with low power c

PRODUCT SPECIFICATIONS

Luminaire made of Die cast Aluminium

Silican rubber gasket

Powdered coated with pretreatment for outdoor use.

Frost PC

Dimensions : L220 x W220 x H245 mm

Shape : Square

LED : SMD

Finish : Graphite

Correlated Color Temperature (CCT) : 3000K

Lumens : 737 lm

Color Rendering Index (CRI) : 80

Reflector Degree ($^{\circ}$) : 81

Power Factor : 0.9

Input Voltage : 200 - 240V 50Hz

Protection class IP 65 : Dust tight & Protected against water jets from any direction