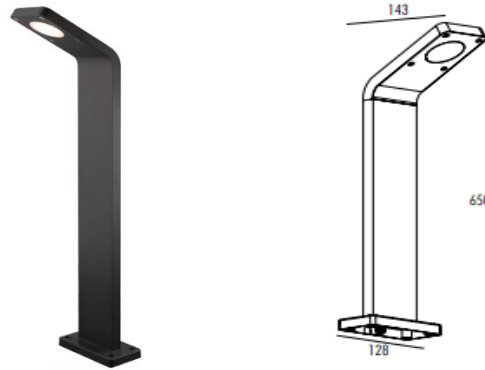


Landscaping Bollard

8W

Data Sheet

768-1021



APPLICATIONS

LED ceiling and wall luminaire made of aluminum and hand-blown crystal glass.
For a variety of interior and exterior lighting applications.
The used LED technique offers durability and optimal light output with low power c

PRODUCT SPECIFICATIONS

Luminaire made of Die cast Aluminium	
Silican rubber gasket	
Powdered coated with pretreatment for outdoor use.	
Frost PC	
Dimensions	: 128*143*650mm
Shape	: flat
LED	: SMD
Finish	: Silver
Correlated Color Temperature (CCT)	: 3000K
Lumens	: 367lm
Color Rendering Index (CRI)	: 80
Reflector Degree (°)	: 106
Power Factor	: 0.9
Input Voltage	: 200 - 240V 50Hz
Luminaire: Protection class IP 54	: Dust protected (no harmful deposit) & protected against splashing water from any direction