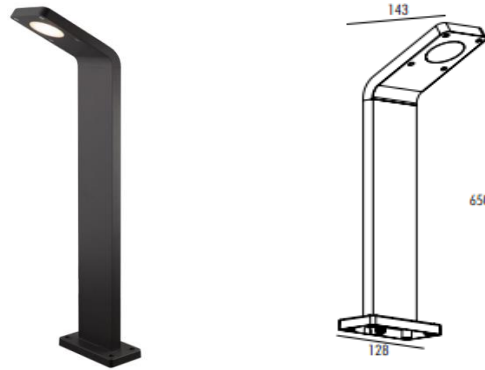


## Landscaping Bollard

8W

## Data Sheet

768-1020



### APPLICATIONS

LED ceiling and wall luminaire made of aluminum and hand-blown crystal glass.  
For a variety of interior and exterior lighting applications.  
The used LED technique offers durability and optimal light output with low power c

### PRODUCT SPECIFICATIONS

Luminaire made of Die cast Aluminium

Silican rubber gasket

Powdered coated with pretreatment for outdoor use.

Frost PC

Dimensions : 128\*143\*650mm

Shape : flat

LED : SMD

Finish : Graphite

Correlated Color Temperature (CCT) : 3000K

Lumens : 367lm

Color Rendering Index (CRI) : 80

Reflector Degree (°) : 106

Power Factor : 0.9

Input Voltage : 200 - 240V 50Hz

Luminaire: Protection class IP 54 : Dust protected (no harmful deposit) & protected against splashing water from any direction