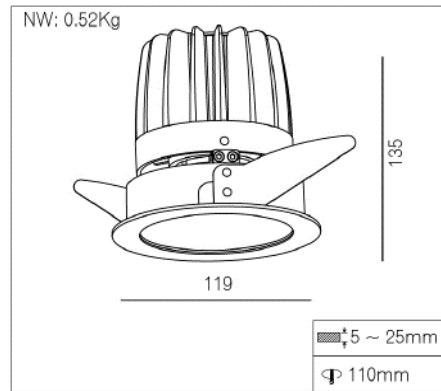


Ceiling Mounted Down Light

20W

Data Sheet

760-8126



APPLICATIONS

LED ceiling and wall luminaire made of aluminum and hand-blown crystal glass.
For a variety of interior and exterior lighting applications.
The used LED technique offers durability and optimal light output with low power

PRODUCT SPECIFICATIONS

Luminaire made of Die cast Aluminium
Powdered coated or oil painting finishing.

Frost PC

Dimensions : 119*135 mm

LED : COB

Finish : AW

Correlated Color Temperature (CCT) : 3000K

Lumens : 1183 lm

Color Rendering Index (CRI) : 80

Reflector Degree (°) : 24

Power Factor : 0.9

Input Voltage : 37V 50Hz

Luminaire: Protection class IP 20 : Protected against solid foreign objects.