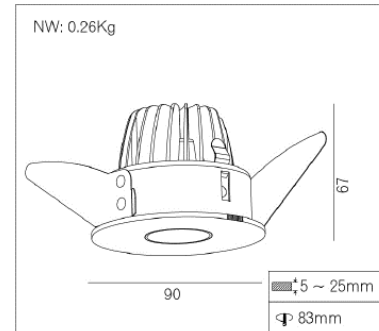


Down Light

10W

Data Sheet

760-2200



APPLICATIONS

LED ceiling and wall luminaire made of aluminum and hand-blown crystal glass.

For a variety of interior and exterior lighting applications.

The used LED technique offers durability and optimal light output with low power consumption.

PRODUCT SPECIFICATIONS

Lamp	: LED
Finish	: White
Correlated Color Temperature (CCT)	: 3000K
Lumens	: 604lm
Color Rendering Index (CRI)	: ≥ 80
Beam Angle	: 33.3°
Dimensions	: $\Phi 90 \times 67\text{mm}$
Cut out	: $\Phi 83\text{mm}$
Power Factor	: ≥ 0.9
Driver Details	: DC37 250mA
Luminaire	: Protection class IP 54 Dust Protected and protected against splashing water from any direction