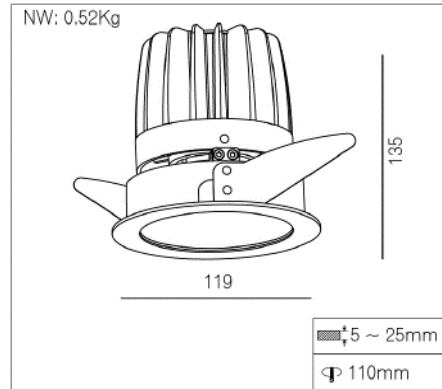


## Ceiling Mounted Down Light

20W

## Data Sheet

760-8128



### APPLICATIONS

LED ceiling and wall luminaire made of aluminum and hand-blown crystal glass.  
For a variety of interior and exterior lighting applications.  
The used LED technique offers durability and optimal light output with low power

### PRODUCT SPECIFICATIONS

Luminaire made of Die cast Aluminium  
Powdered coated or oil painting finishing.

Frost PC

Dimensions : 119\*135 mm

LED : COB

Finish : AS

Correlated Color Temperature (CCT) : 3000K

Lumens : 1183 lm

Color Rendering Index (CRI) : 80

Reflector Degree (°) : 24

Power Factor : 0.9

Input Voltage : 37V 50Hz

Luminaire: Protection class IP 20 : Protected against solid foreign objects.