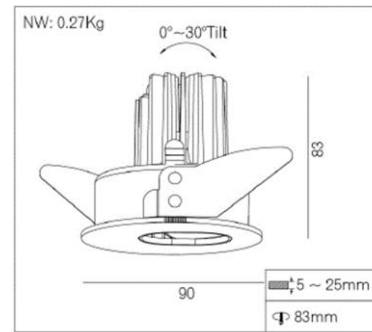


## Down Light

10W

## Data Sheet

760-2210



### APPLICATIONS

LED ceiling and wall luminaire made of aluminum and hand-blown crystal glass.

For a variety of interior and exterior lighting applications.

The used LED technique offers durability and optimal light output with low power consumption.

### PRODUCT SPECIFICATIONS

Lamp	: LED
Finish	: White
Correlated Color Temperature (CCT)	: 3000K
Lumens	: 604lm
Color Rendering Index (CRI)	: $\geq 80$
Beam Angle	: 27.8°
Dimensions	: $\Phi 90 \times 83\text{mm}$
Cut out	: $\Phi 83\text{mm}$
Power Factor	: $\geq 0.9$
Driver Details	: DC37 250mA
Luminaire	: Protection class IP 20